

Statecharts aka Harel Charts

Visual Modelling

1. Higraph formalism
2. Statechart formalism (combines Higraphs and State Automata)

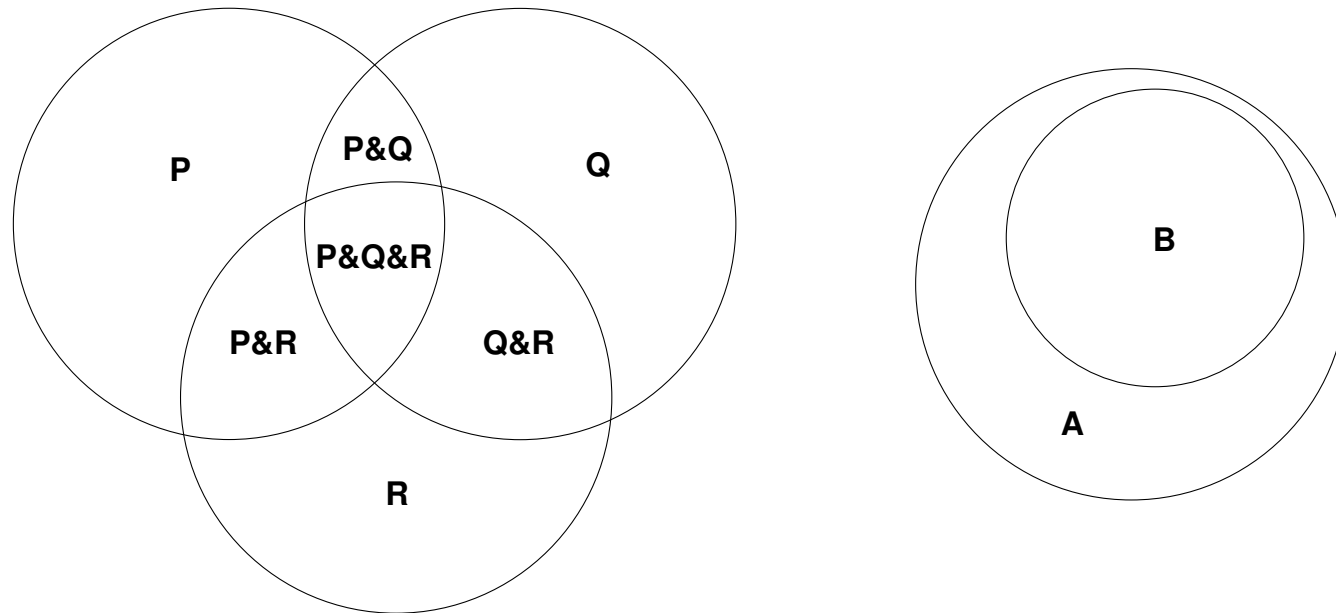
Diverse applications.

In particular: concurrent systems behaviour

Higraphs: Visualising Information

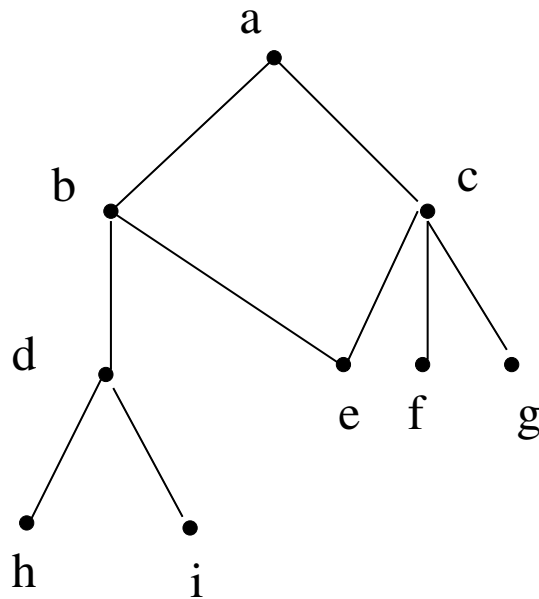
- complex
- non-quantitative, structural
- topological, not geometrical
- Euler
 - Venn diagrams (Jordan curve: inside/outside):
enclosure, intersection
 - graphs (nodes, edges: binary *relation*); hypergraphs

Venn diagrams, Euler circles

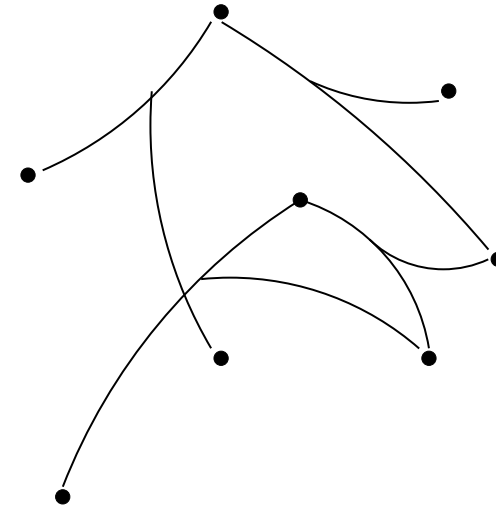


- *topological* notions (syntax):
enclosure, exclusion, intersection
- Used to represent (denote) *mathematical* set operations:
union, difference, intersection

Hypergraphs



a graph



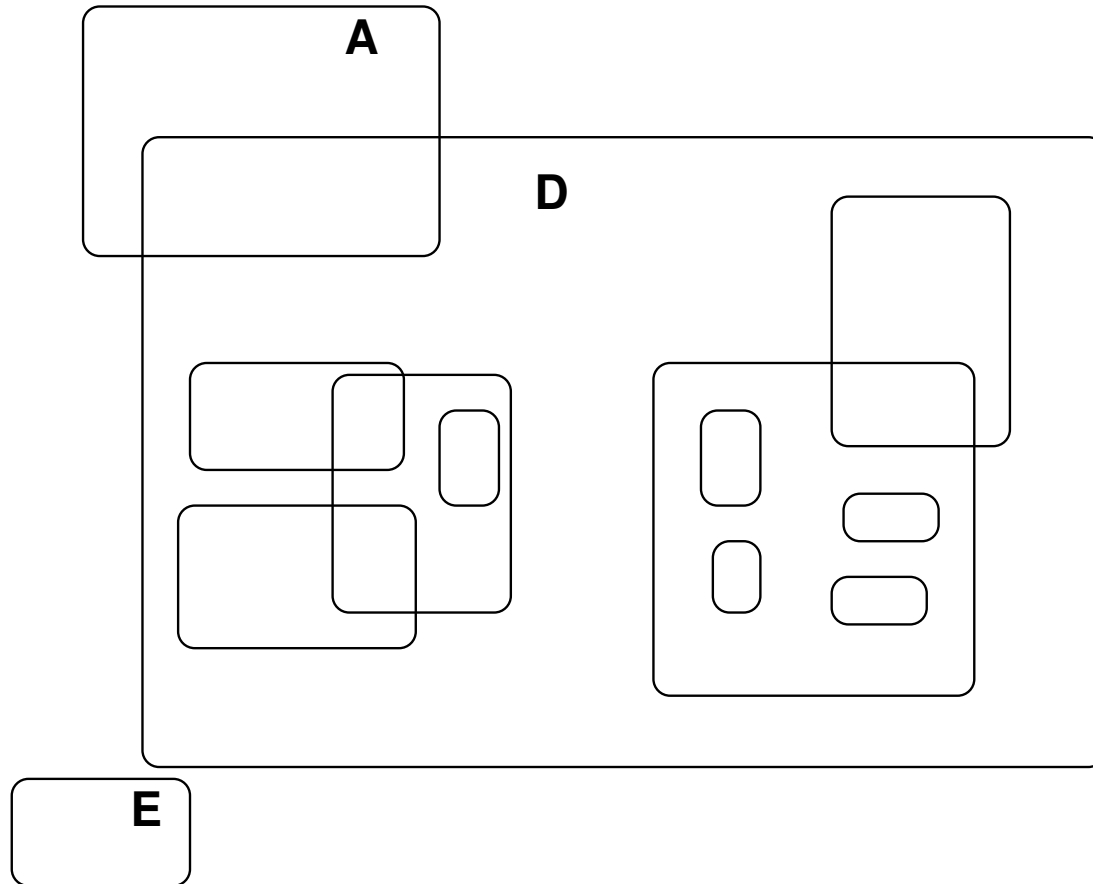
a hypergraph

- *topological* notion (syntax): connectedness
- Used to represent (denote) *relations* between sets.
- Hyperedges: non longer binary relation ($\subseteq X \times X$):
 $\subseteq 2^X$ (undirected), $\subseteq 2^X \times 2^X$ (directed).

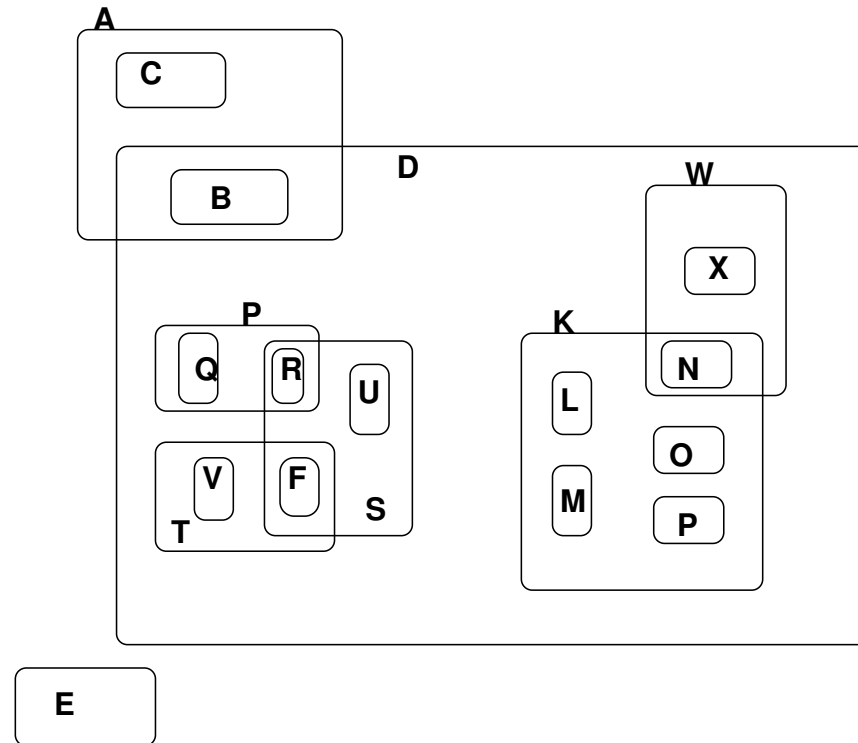
Higraphs: combining graphs and Venn diagrams

- sets + cartesian product
- hypergraphs

Blobs: set *inclusion*, not membership

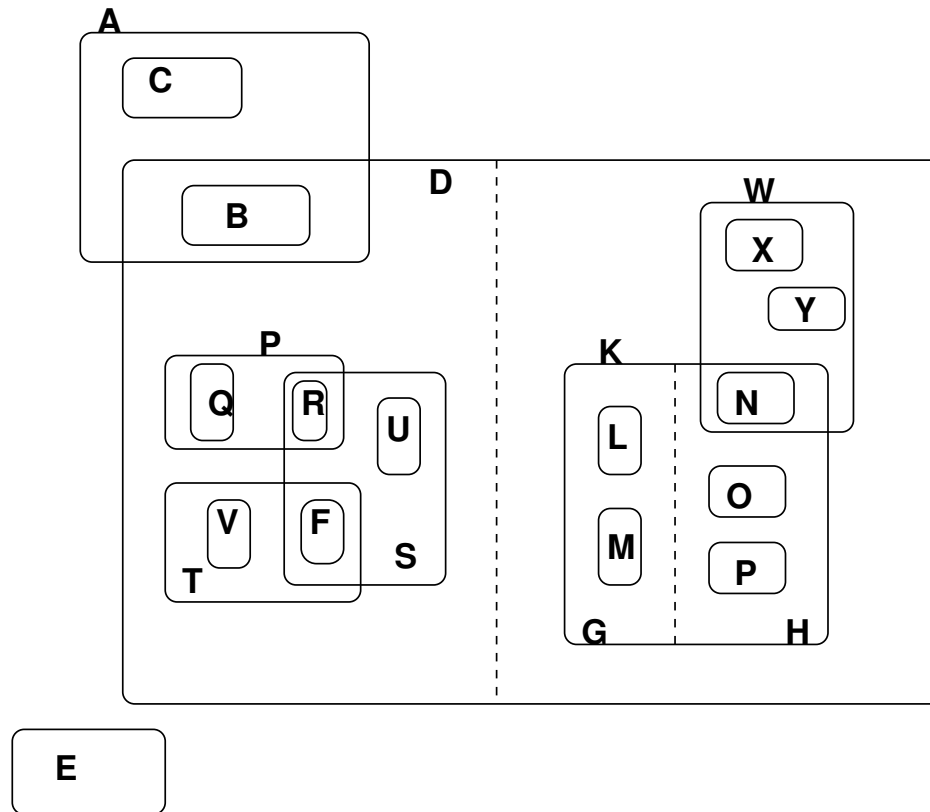


Unique Blobs (atomic sets, no intersection)



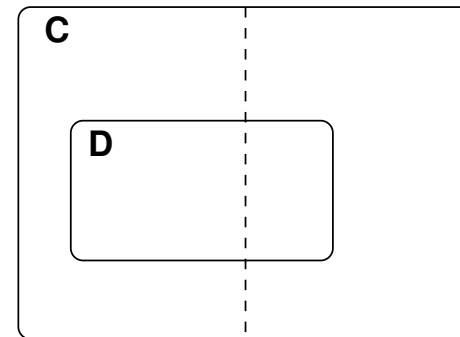
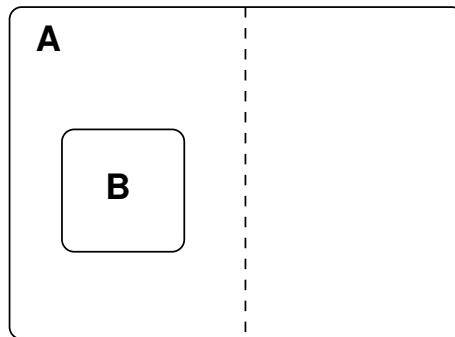
- atomic blobs are identifiable sets
- other blobs are union of enclosed sets (*e.g.*, $K = LUM \cup N \cup O \cup P$)
- empty space meaningless, identify intersection (*e.g.*, $N = K \cap W$)

Unordered Cartesian Product: Orthogonal Components

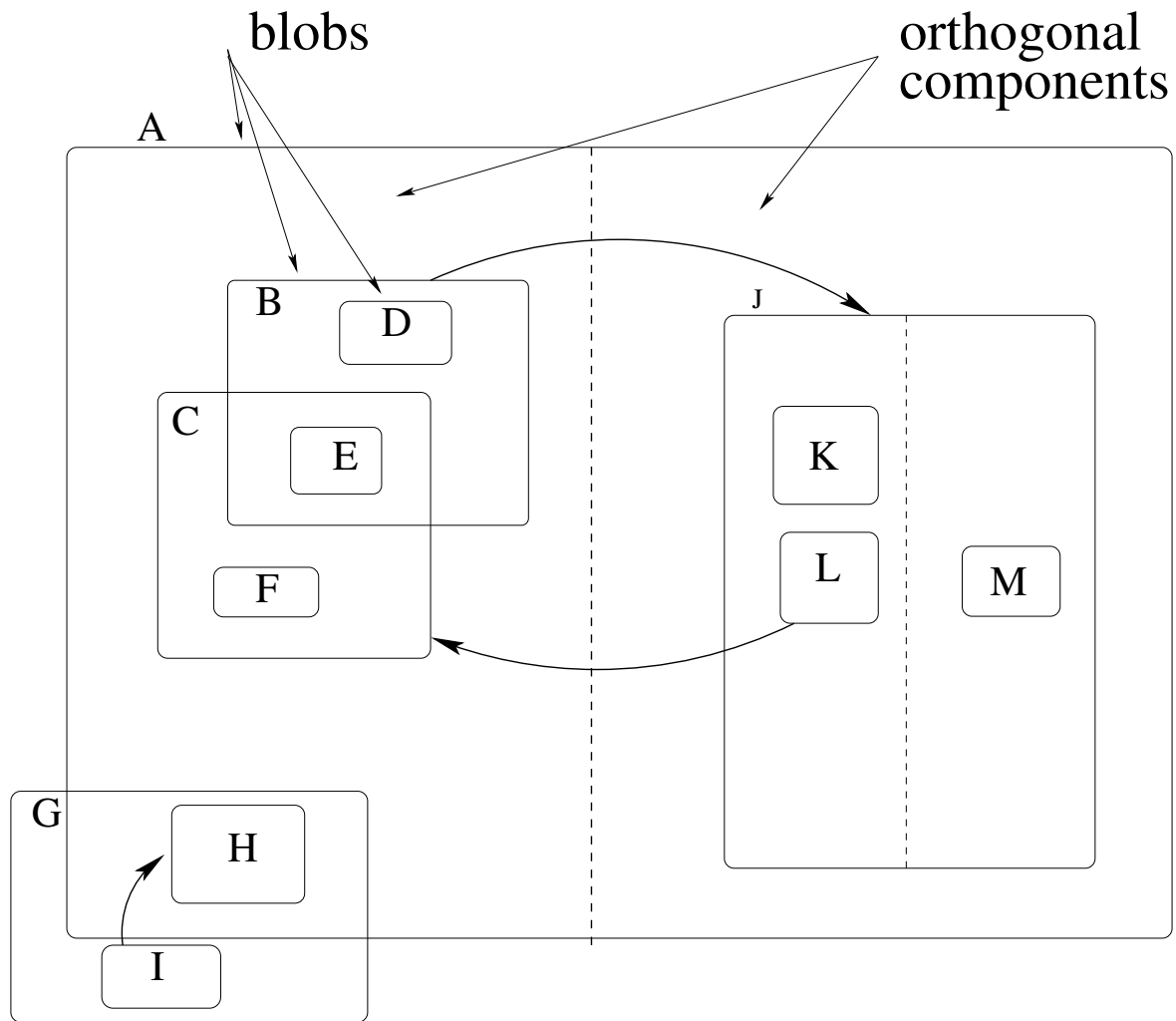


$$K = G \times H = H \times G = (LUM) \times (NUOUP)$$

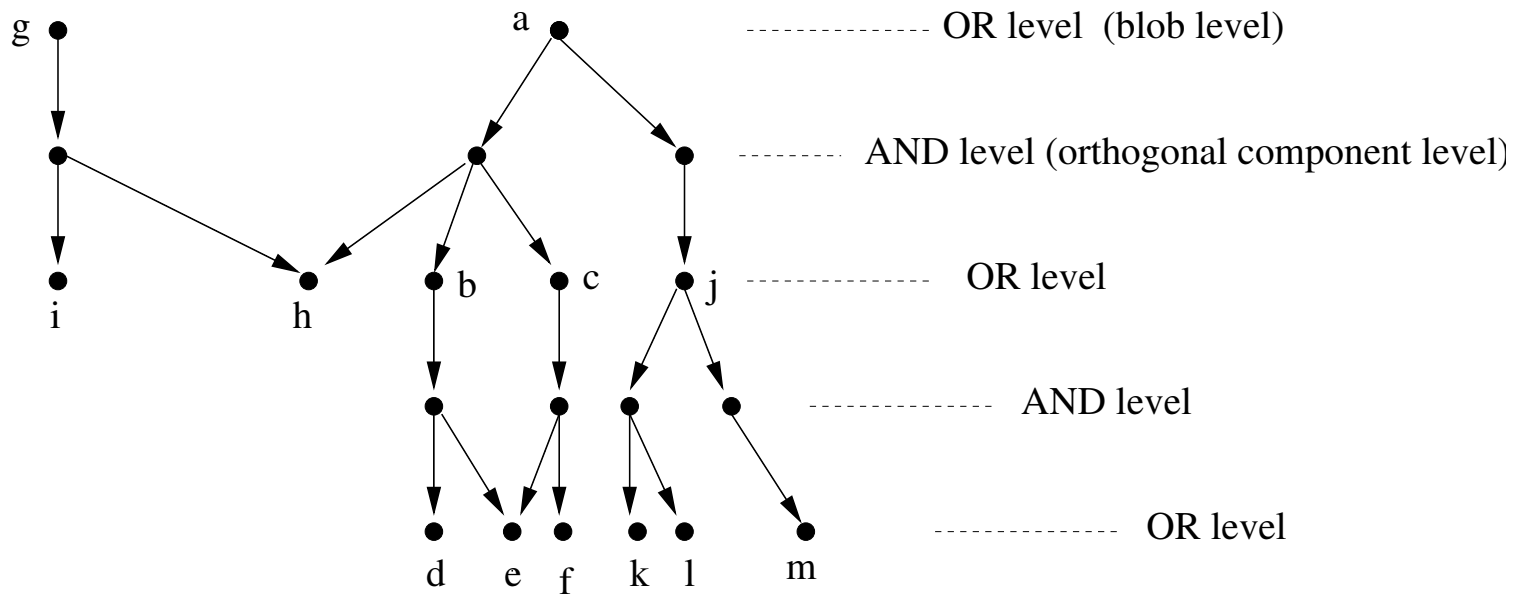
Meaningless syntactic constructs



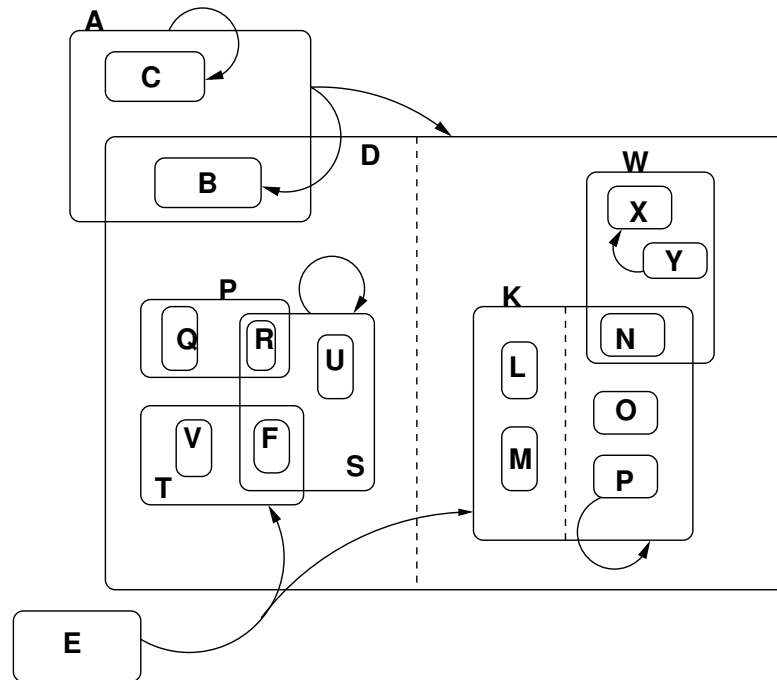
Simple Higraph



Induced Acyclic Graph (blob/orth comp alternation)

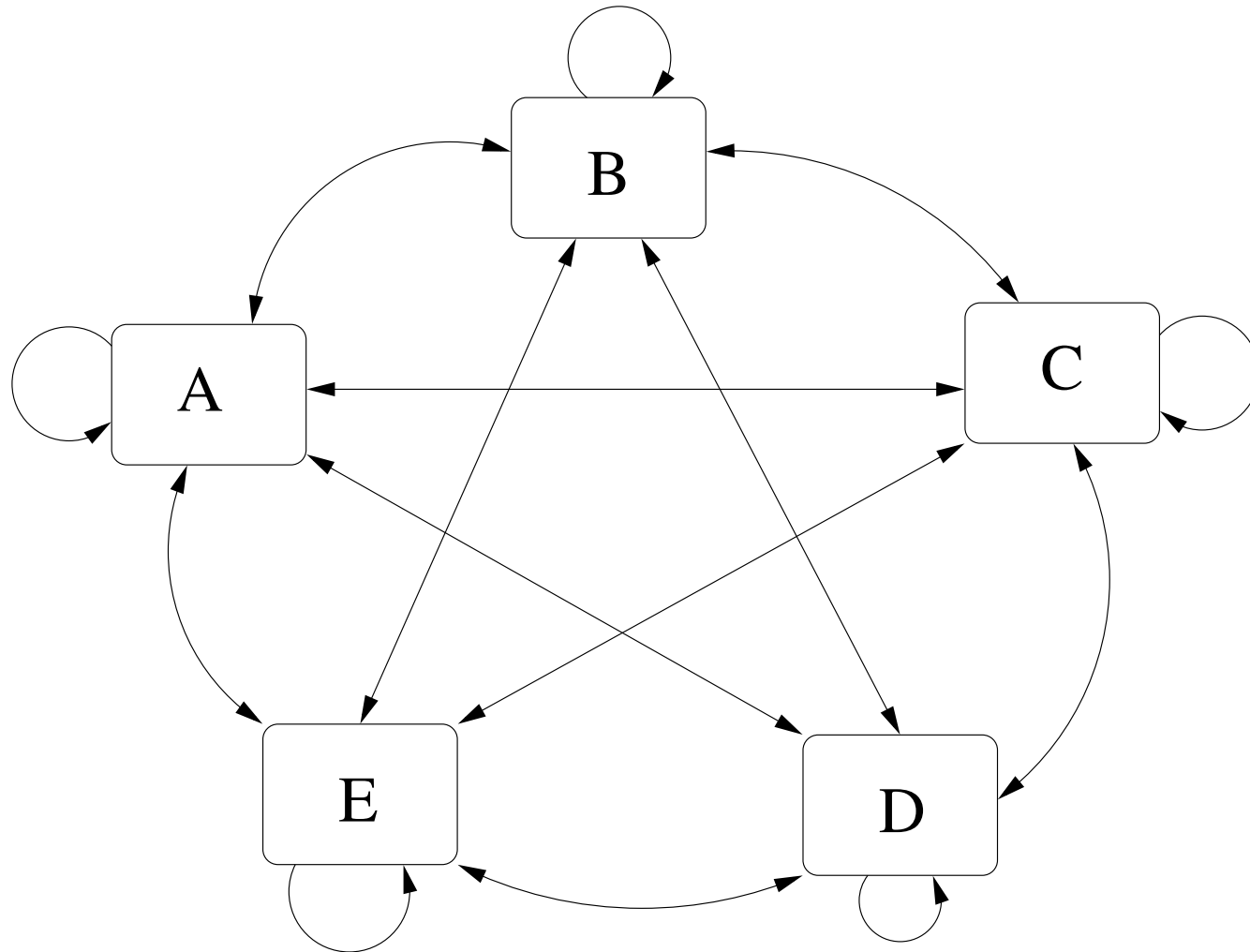


Adding (hyper) edges

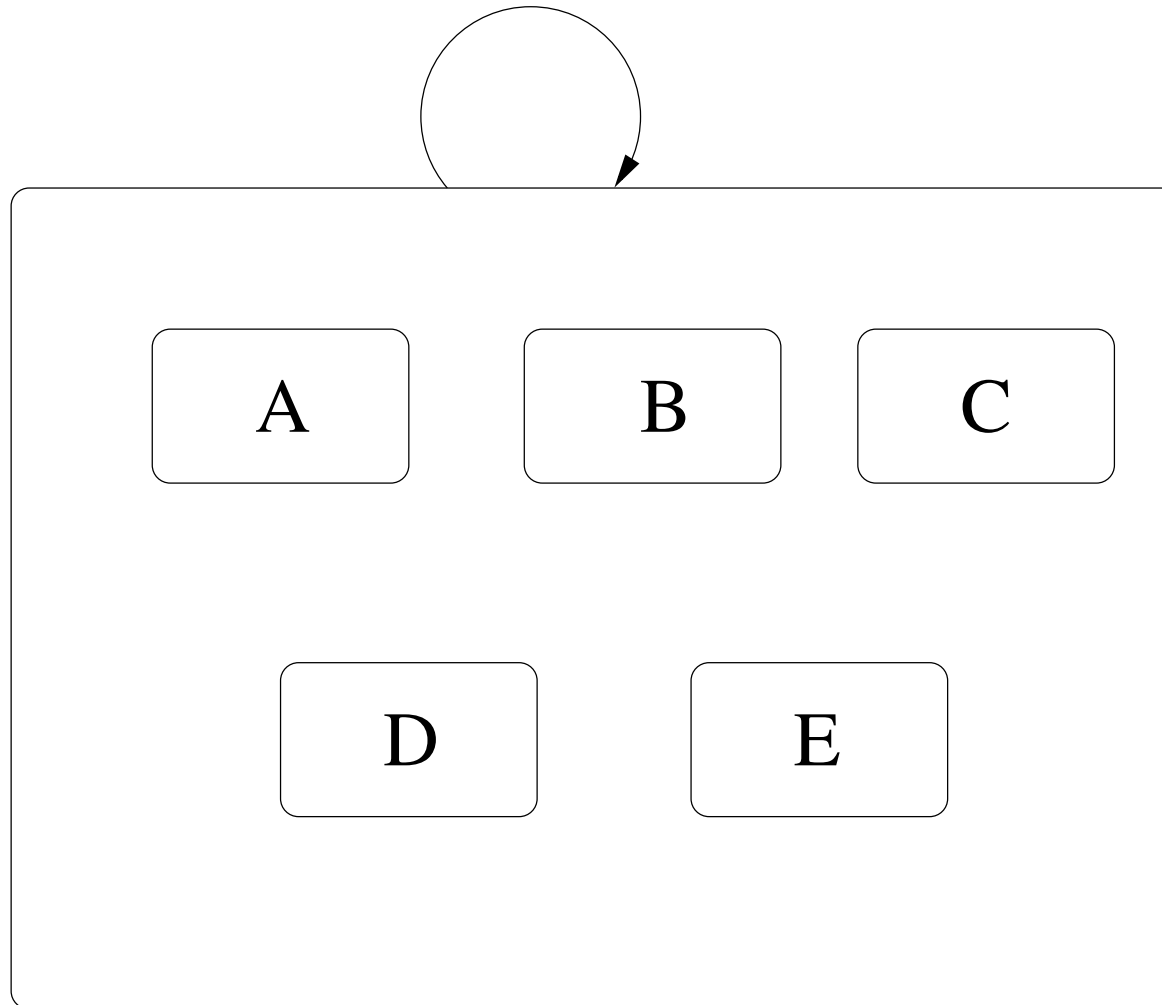


- *hyperedges*
- attach to contour of *any* blob
- inter-level possible (*e.g.*, denote global variables binding)

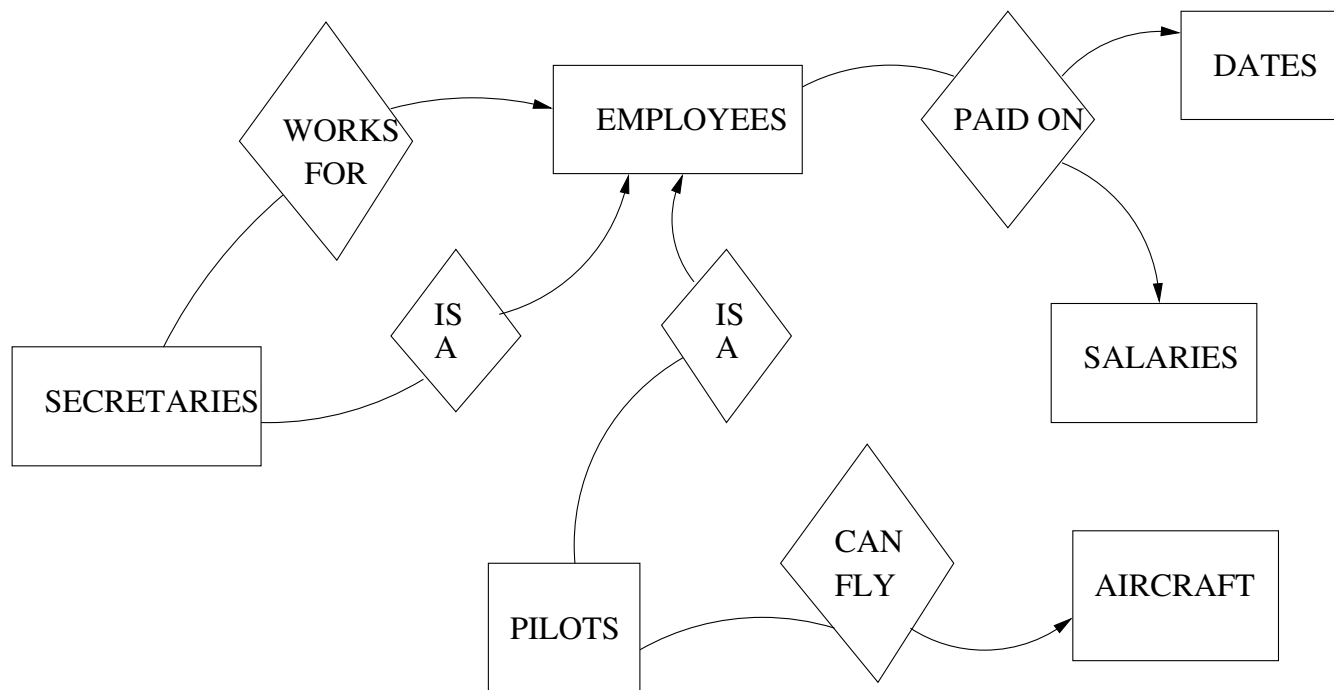
Clique Example



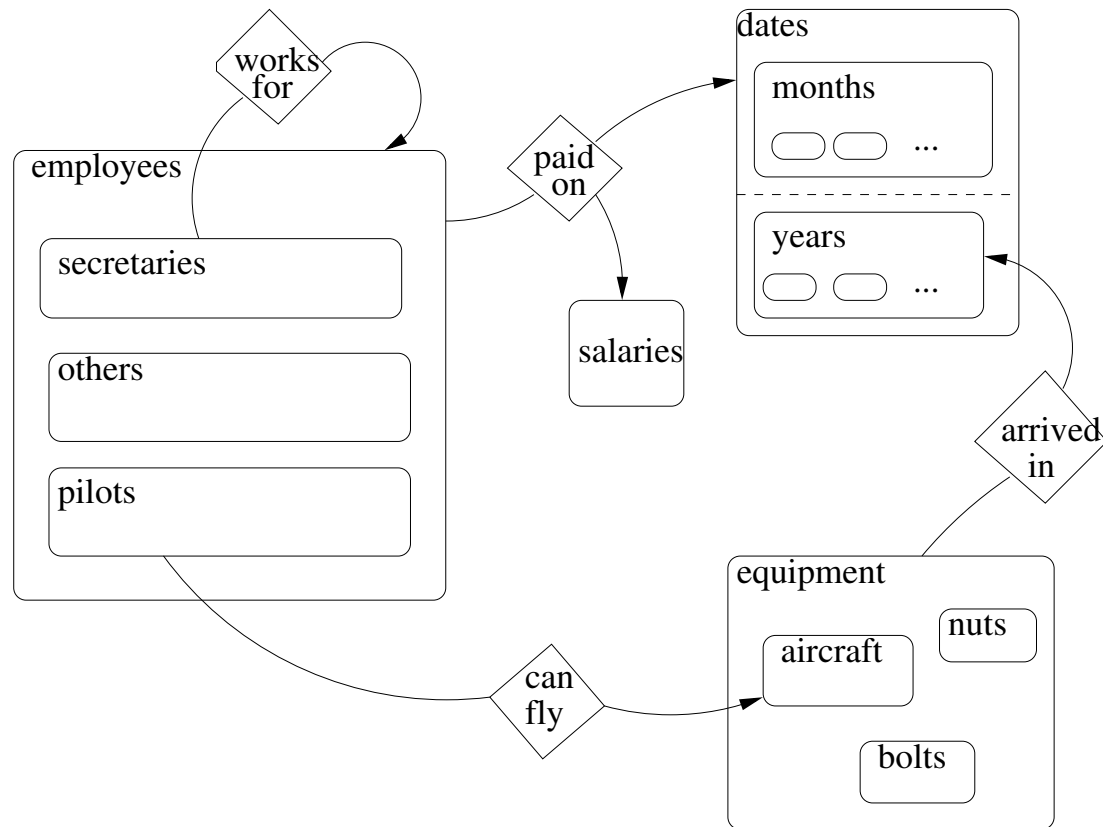
Clique: fully connected semantics



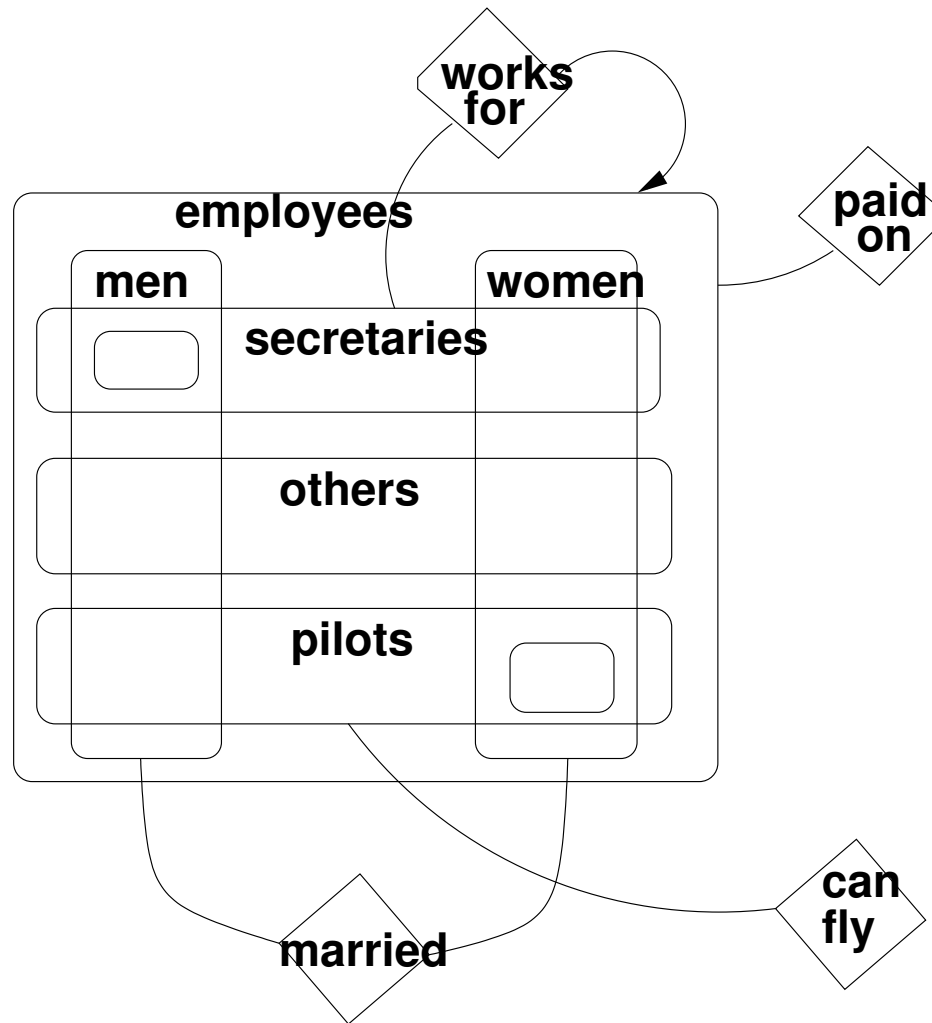
Entity Relationship Diagram (is-a)



Higraph version of E-R diagram



Extending the E-R diagram



Formally (syntax)

A higraph H is a quadruple

$$H = (B, E, \sigma, \pi)$$

B : finite set of all unique *blobs*

E : set of hyperedges

$$\subseteq X \times X, \quad \subseteq 2^X, \quad \subseteq 2^X \times 2^X$$

The subblob (direct descendants) function σ

$$\sigma : B \rightarrow 2^B$$

$$\sigma^0(x) = \{x\}, \quad \sigma^{i+1} = \bigcup_{y \in \sigma^i(x)} \sigma(y), \quad \sigma^+(x) = \bigcup_{i=1}^{+\infty} \sigma^i(x)$$

Subblobs⁺ cycle free

$$x \notin \sigma^+(x)$$

The partitioning function π associates *equivalence relationship* with x

$$\pi : B \rightarrow 2^{B \times B}$$

Equivalence classes π_i are *orthogonal components* of x

$$\pi_1(x), \pi_2(x), \dots, \pi_{k_x}(x)$$

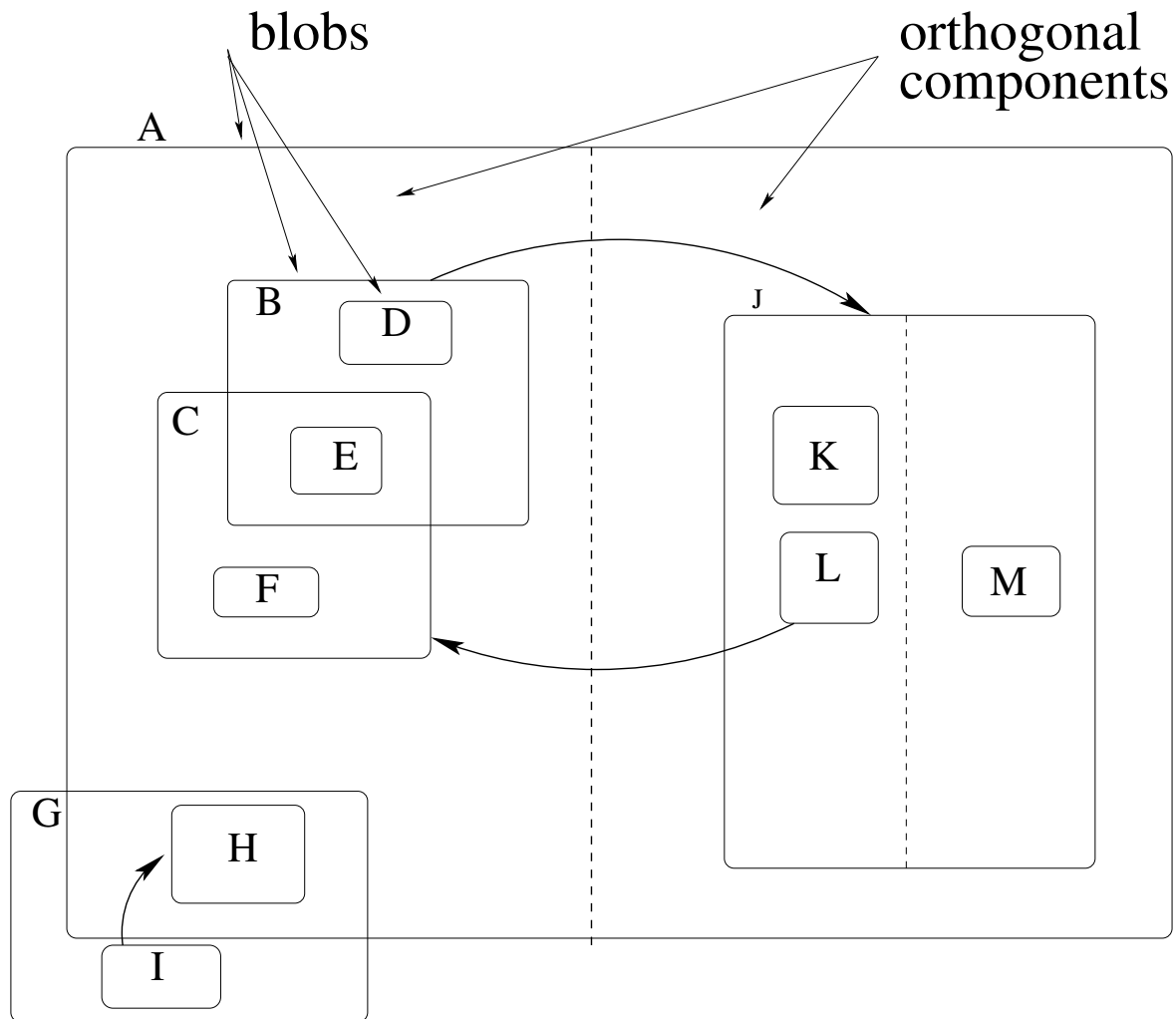
$k_x = 1$ means a single orthogonal component (no partitioning)

Blobs in different orthogonal components of x are *disjoint*

$$\forall y, z \in \sigma(x) : \sigma^+(y) \cap \sigma^+(z) = \emptyset$$

unless in the same equivalence class

Simple Higraph



Induced Orthogonal Components

$$B = \{A, B, C, D, E, F, C, G, H, I, J, K, L, M\}$$

$$E = \{(I, H), (B, J), (L, C)\}$$

$$\rho(A) = \{B, C, H, J\}, \rho(G) = \{H, I\}, \rho(B) = \{D, E\}, \rho(C) = \{E, F\},$$

$$\rho(J) = \{K, L, M\}$$

$$\rho(D) = \rho(E) = \rho(F) = \rho(H) = \rho(I) = \rho(K) = \rho(L) = \rho(M) = \emptyset$$

$$\pi(J) = \{(K, K), (K, L), (L, L), (L, K), (M, M)\}$$

Induces *equivalence classes* $\pi_1(J) = \{K, L\}$ and $\pi_2(J) = \{M\}, \dots$

These are the *orthogonal components*

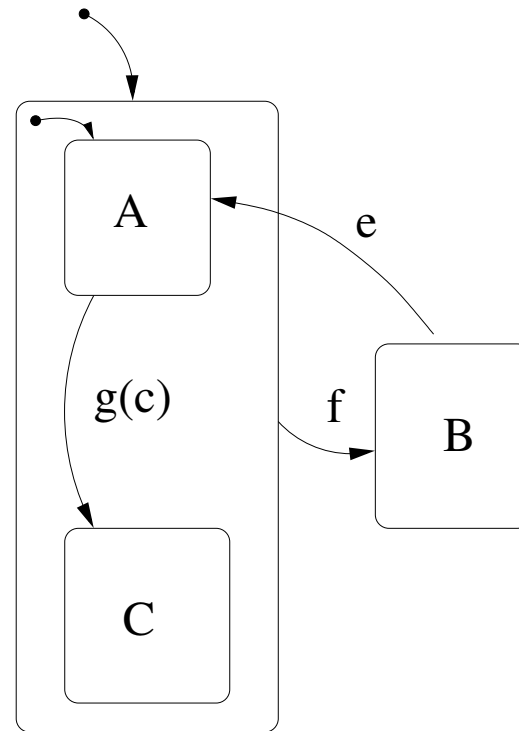
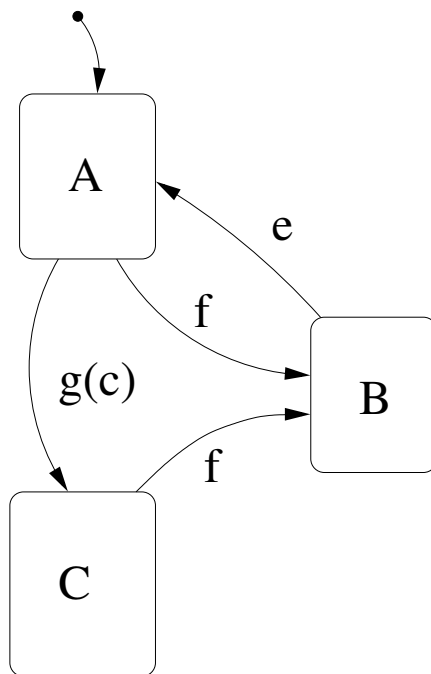
Higraph applications (add specific meaning)

1. E-R diagrams
2. data-flow diagrams (activity diagrams)
edges represent (flow of) data
3. inheritance
4. Statecharts

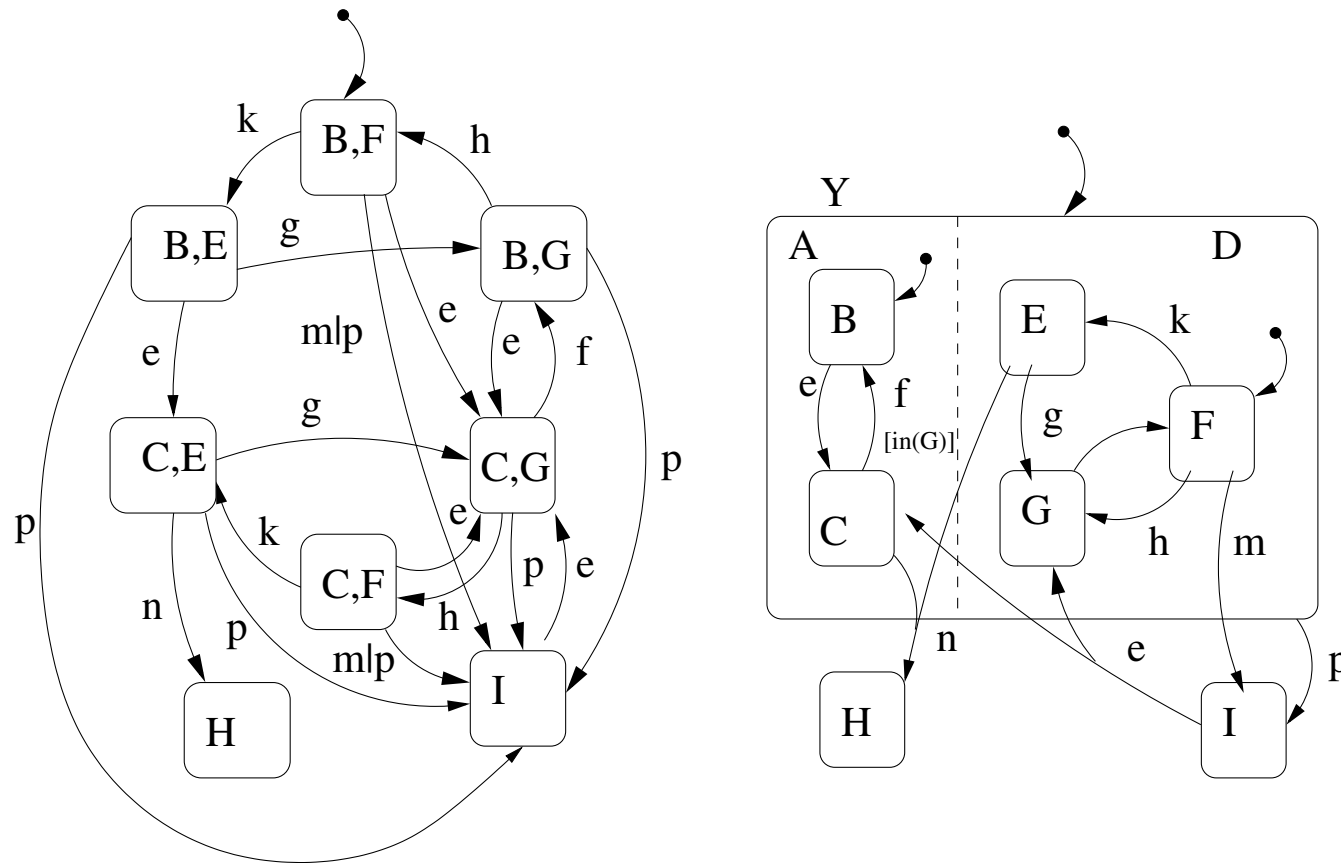
Statecharts = state diagrams + depth + orthogonality + broadcast

- Reactive Systems (event driven, react to internal and external stimuli)
- like Petri Nets, CSP, CCS, sequence diagrams, ...
- graphical but formal and rigorous for
 - analysis
 - code generation
- solve FSA problems:
 - flat \Rightarrow hierarchy \Rightarrow re-use
 - represent large number of *transitions* concisely
 - represent large number of (product)*states* concisely
 - sequential \Rightarrow concurrent

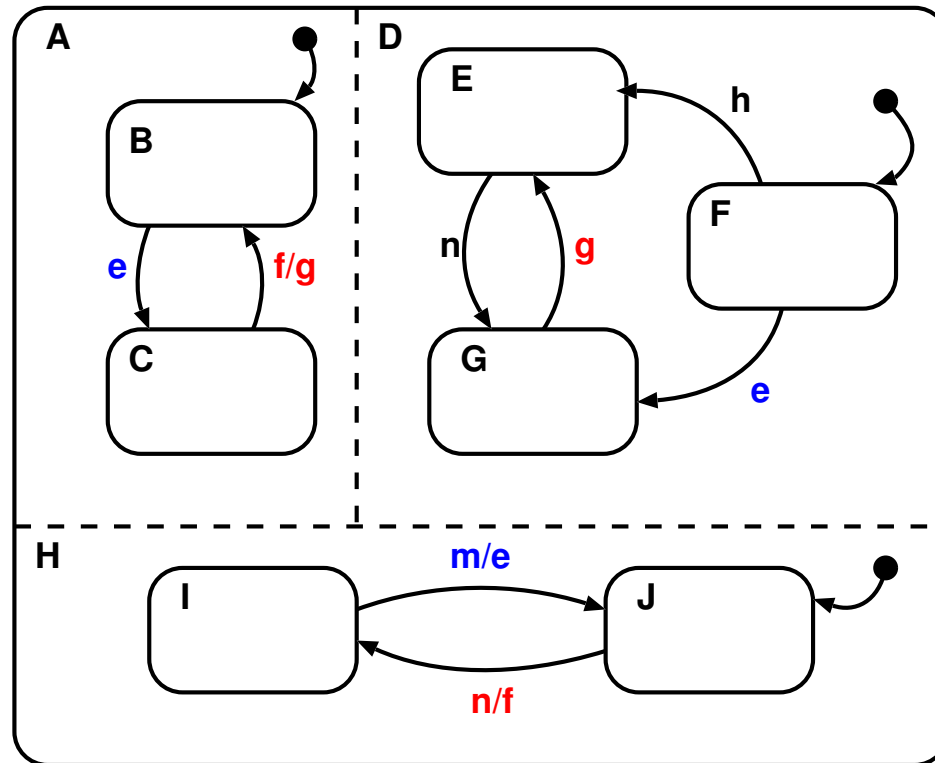
Depth (XOR), semantics through flattening



Orthogonality (AND), semantics through flattening

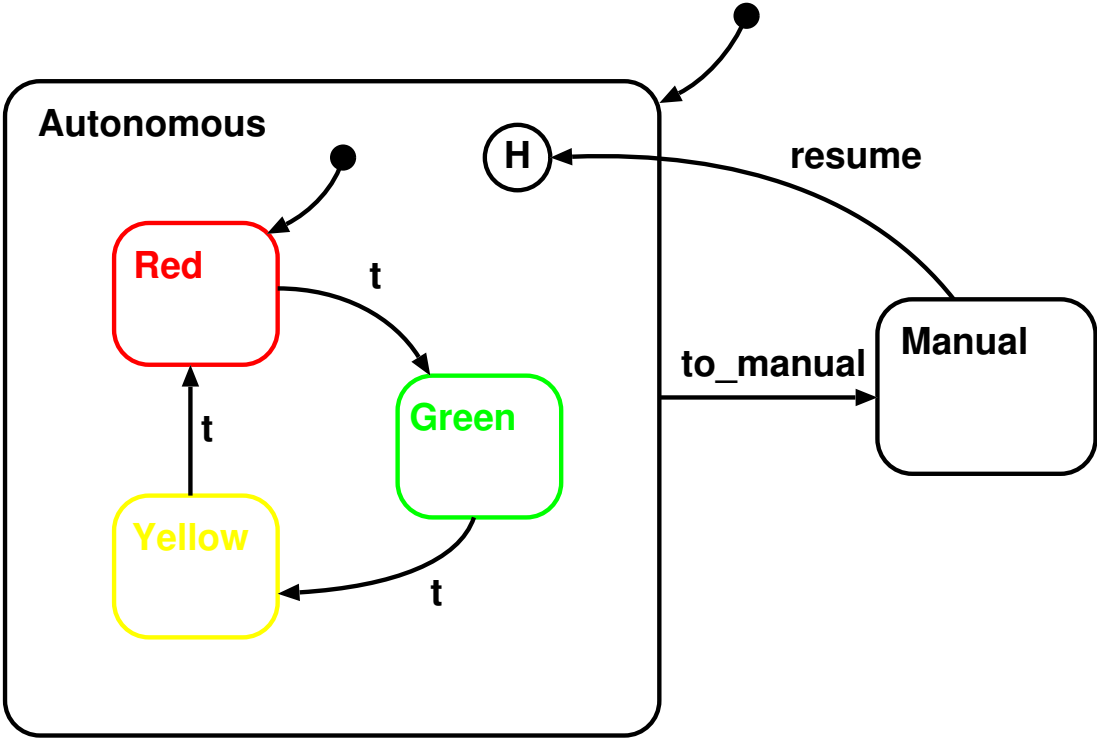


Broadcasting (output events)

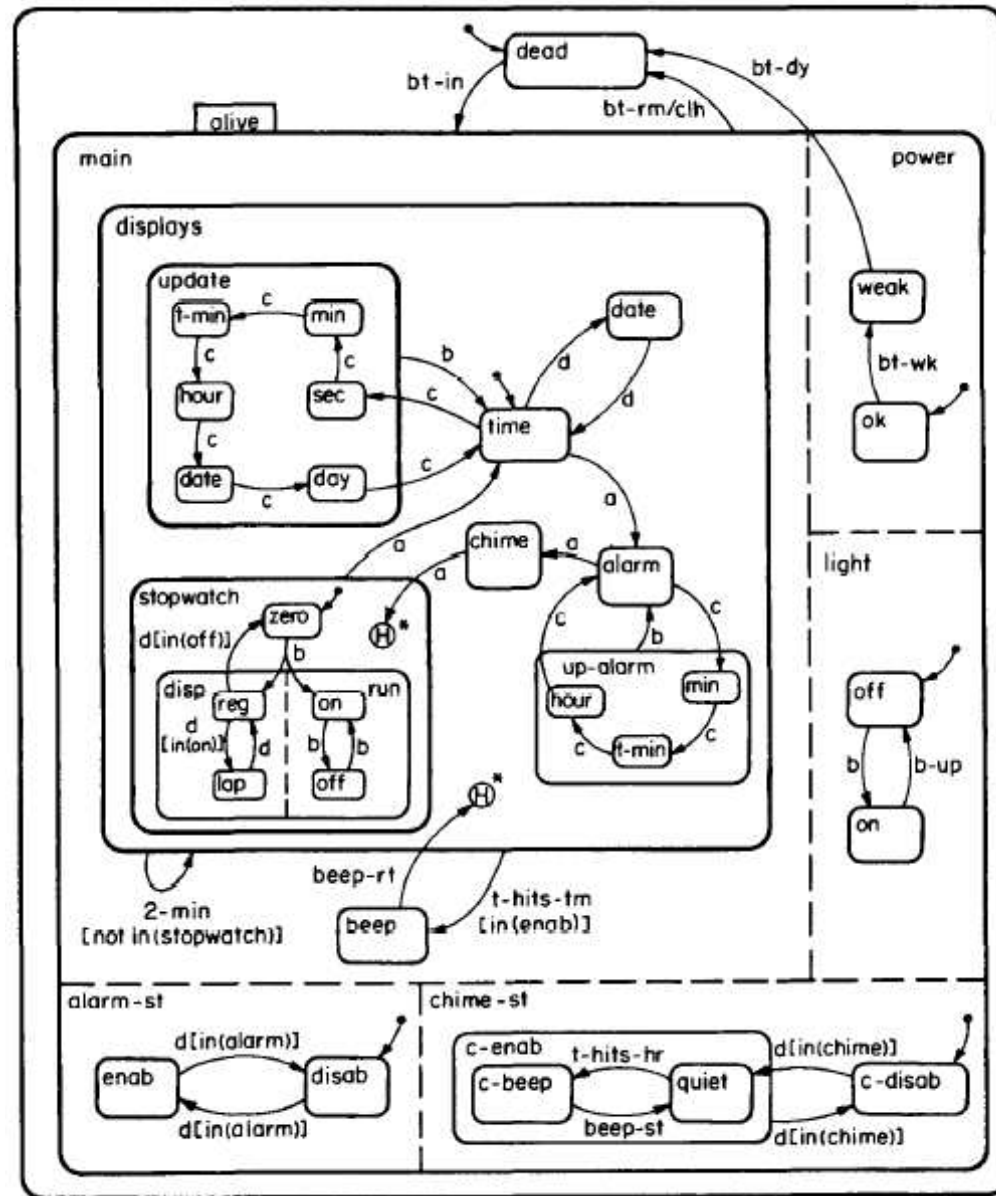


Input Segment: **nmnn**

History States



Stopwatch Example



Extensions

- **time:** `after(10s)`
- **guards:** `[OC in(C)]`
- **parametrized events:** `ev(p1, p2)`
- **narrowcast:** `destination.ev(p1, p2),`
`destination->ev(p1, p2)`
- **states vs. variables**
- **arrow:** R , **negative arrow:** not R , **absence of arrow:** don't know
- **don't know blobs**
- **Zoom outs (interface)**